



Tare	Weight/Pcs	Change/Unit Price	Total Price
0.00	0.00	0.00	0.00

2024.10.30 18:37:26
Wednesday

1 a/A	2 b/B	3 c/C	4 d/D	5 e/E	6 +	7 -	8 *	9 /
10 f/F	11 g/G	12 h/H	13 i/I	14 j/J	15 (16)	17 {	18 }
19 k/K	20 l/L	21 m/M	22 n/N	23 o/O	24 [25]	26 *	27 *
28 p/P	29 q/Q	30 r/R	31 s/S	32 t/T	33 @	34 #	35 &	36 \$
37 u/U	38 v/V	39 w/W	40 x/X	41 y/Y	42 %	43 ^	44 `	45 :
46 z/Z	47 SP	48 <	49 =	50 >	51	52 \	53 -	54 ~
55 !	56 ?	57 .	58 ,	59 ;	60 End	61 Del	62 Insert	63 IME

Sale	Prog	Account	Time	Feed	F-Prog
64 Shift	65 Auto Mode	66 Manual Weight	67 Paper Type	68 Re-Print	69 Zero
70 -%	71 -Num	72 @/Price	73 T-Sale	74 Drawer	75 Tare
76 7	77 8	78 9	79 x	80 ↑ V1	81 Answer
82 4	83 5	84 6	85 ← V2	86 ↓ V3	87 → V4
88 1	89 2	90 3	91 PLU	92 Cash/Print	
93 0	94 00	95 Back	96 Cancel	97 Accu/Confirm	

TM-A17 Label Printing Scale

NVK Weighing Instrument(Suzhou) Co., Ltd.

Optional:



A: WiFi module



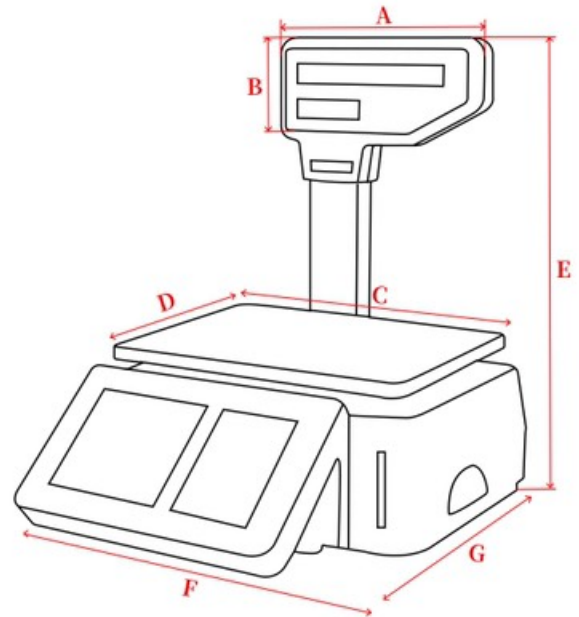
B: Barcode scanner



C: Cash register printer
(Label and cash register paper are printed at the same time)



D: Cash Box
(For cashes, change)



Parameters:

Model	TM-A17 Label Printing Scale
Accuracy level	III
Capacity	30kg
Display	HD LCD large screen
Accuracy	10g (adjustable to 5g / 2g)
Shortcut keys	189
Powered by	AC:100V~240V

Size			
A	260mm	E	510mm
B	110mm	F	400mm
C	350mm	G	420mm
D	260mm		

Basic Function:

- ▲ Tare:4 digit / Weight:5 digit / Unit Price:6 digit / Total:7 digit
- ▲ Mobile APP remote management and operation of electronic scales
- ▲ Mobile phone APP real-time view and print report information to prevent cheating
- ▲ Print daily, monthly and quarterly sales reports, and check statistics at a glance
- ▲ Cash register receipts, self-adhesive labels free to switch printing
- ▲ Support connection to wireless network, mobile phone hotspot
- ▲ Intelligent Pinyin Quick Search Products
- ▲ Support Alipay / WeChat collection, real-time arrival
- ▲ Can be customized in multiple languages
- ▲ Compatible with all major cash register systems in the market
- ▲ Suitable for supermarkets, convenience stores, fruit shops, factories, workshops, etc.

Scale Details:

- ▲ Five windows high-definition display, can display the product name
- ▲ New upgrade large size keys, user-friendly design
- ▲ 304 stainless steel weighing pan, anti-corrosion and easy to clean
- ▲ Independently designed thermal printer, simple maintenance, low cost of accessories
- ▲ 189 shortcut commodity buttons, customizable function buttons
- ▲ USB interface, can be connected to U disk, easy to import and export data, compatible with scanner
- ▲ RS232 interface, can be connected to extended peripherals such as scanner, card reader, etc.
- ▲ RJ45 network port, can connect network cable

CE Certification of Conformity

Date of Issue: Mar. 30, 2020

Certificate No.: MT19102809-1E1C

Shenzhen Microtest Co., Ltd. hereby declares that testing has been completed and reports have been generated for:

Applicant: SUZHOU WEIGHI EQUIPMENT CO., LTD.

55 Building, 7 Zone, Yangtai Road, Suzhou Industrial Park, Suzhou 215122, China

Manufacturer: SUZHOU WEIGHI EQUIPMENT CO., LTD

55 Building, 7 Zone, Yangtai Road, Suzhou Industrial Park, Suzhou 215122, China

Product: Barcode Label Printing Scale**Trade Name: N/A****Model: ACS-AC,ACS-BC,ACS-BD**

And in accordance with the following Applicable Directive:

2014/53/EU

This product has been assessed against the following Applicable Standards:

Article	Standard	Test Report
3.2	EN 300 328 V2.1.1 (2016-11)	MT19102809-1E1
3.1(b)	EN 301 489-1 V2.2.3 (2019-11) (Draft) EN 301 489-17 V3.2.2 (2019-12)	MT19102809-1E2
3.1(b)	EN 55032:2015+AC:2016 EN 55035:2017 EN 61000-3-2:2014 EN 61000-3-3:2013	MT19102809-3E1
3.1(a) SAR	EN 62311: 2008	MT19102809-1E3
3.1(a) Safety	EN 60950-1: 2006+A11: 2009+A1: 2010+A12: 2011+A2: 2013	MT19102809-2S1

Therefore, Shenzhen Microtest Co., Ltd. hereby acknowledges that the manufacturer may issue a declaration of conformity and apply the CE marking in accordance with European Union Rules.

Attestation by:



Tom Xue, Chief Manager



This certificate of conformity is based on a single evaluation of the submitted sample(s) of the above-mentioned product. It does not imply an assessment of the whole production and other relevant directives have to be observed.



Add: No.102A & 302A, East Block, Hengfang Industrial Park, Xingye Road, Xixiang, Bao'an District, Shenzhen, Guangdong, China

Tel: 86-755-8885 0135

Fax: 86-755-8885 0136

Web: www.mtitest.com

E-mail: mti@51mti.com